

## Specification of: DDM 7/7 E6G3405 1F 4P 1V +SCT == 6N02WL

### High performance centrifugal fan DDM

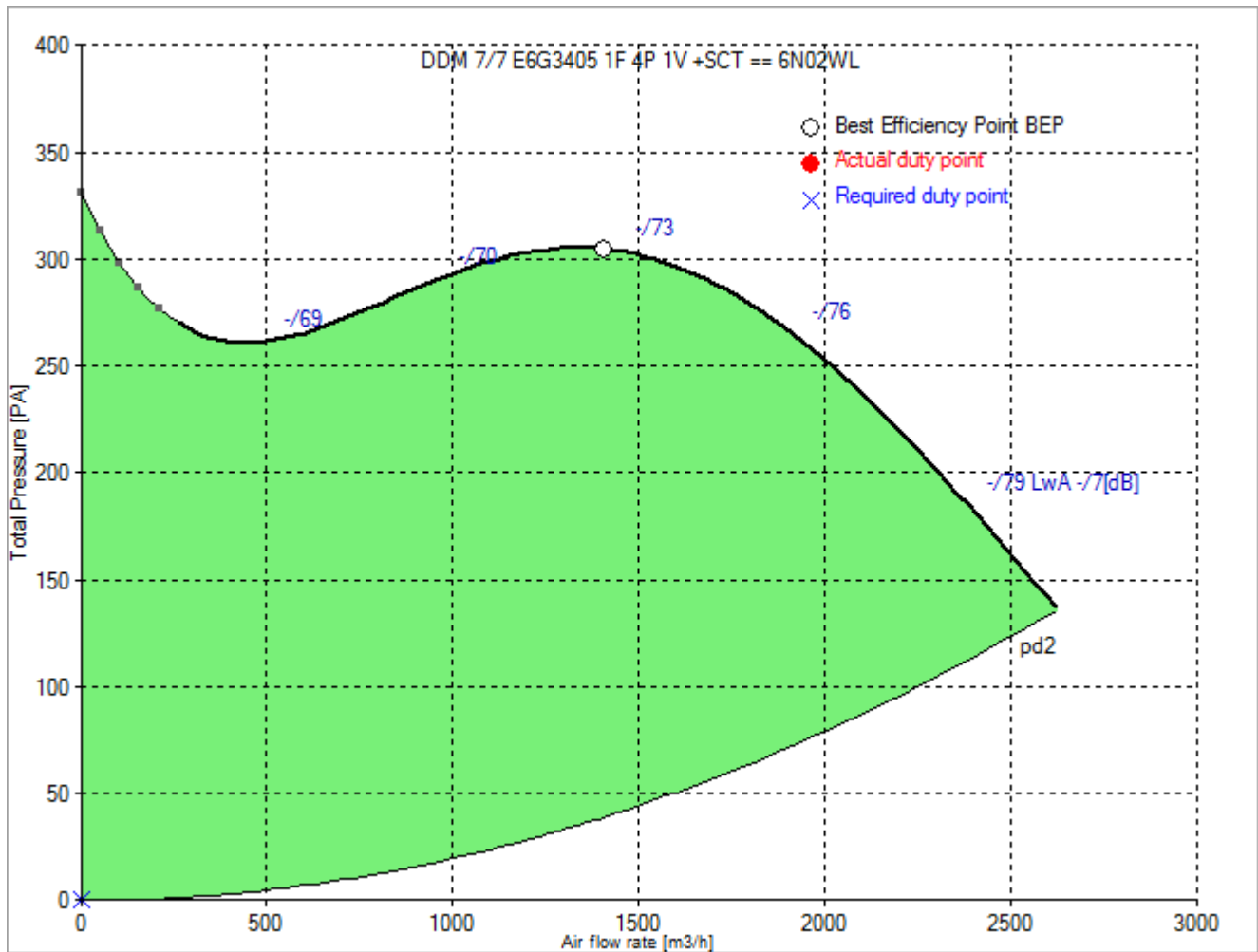
Double width, double inlet (DWDI), direct drive, forward curved blades fan. Lap-jointed scroll made of galvanized steel (EN 10142), assembled through a high-technology roller-locked seaming. Straight cut off plate at fan discharge. Impeller with forward curved blades of galvanized steel plate, directly mounted on a "External Rotor" motor for no transmission losses. Closed (IP 55) frame, single-phase, voltage controllable motor, usable at 230 V, 50 Hz or 60 Hz. With built-in thermal protection device. Maintenance free, integral vibration isolators, self aligning ball bearings. Dynamically balanced according to DIN ISO 21940-11. With mounted terminal box. Air performance ratings according to AMCA 210-99 (Fig. 12), UNI 10531 (Fig 30c and par. 29.2 f) and ISO 5801 (Fig. 69 c and par. 30.2 f).

### Technical data of the fan: DDM 7/7 E6G3405 1F 4P 1V +SCT == 6N02WL

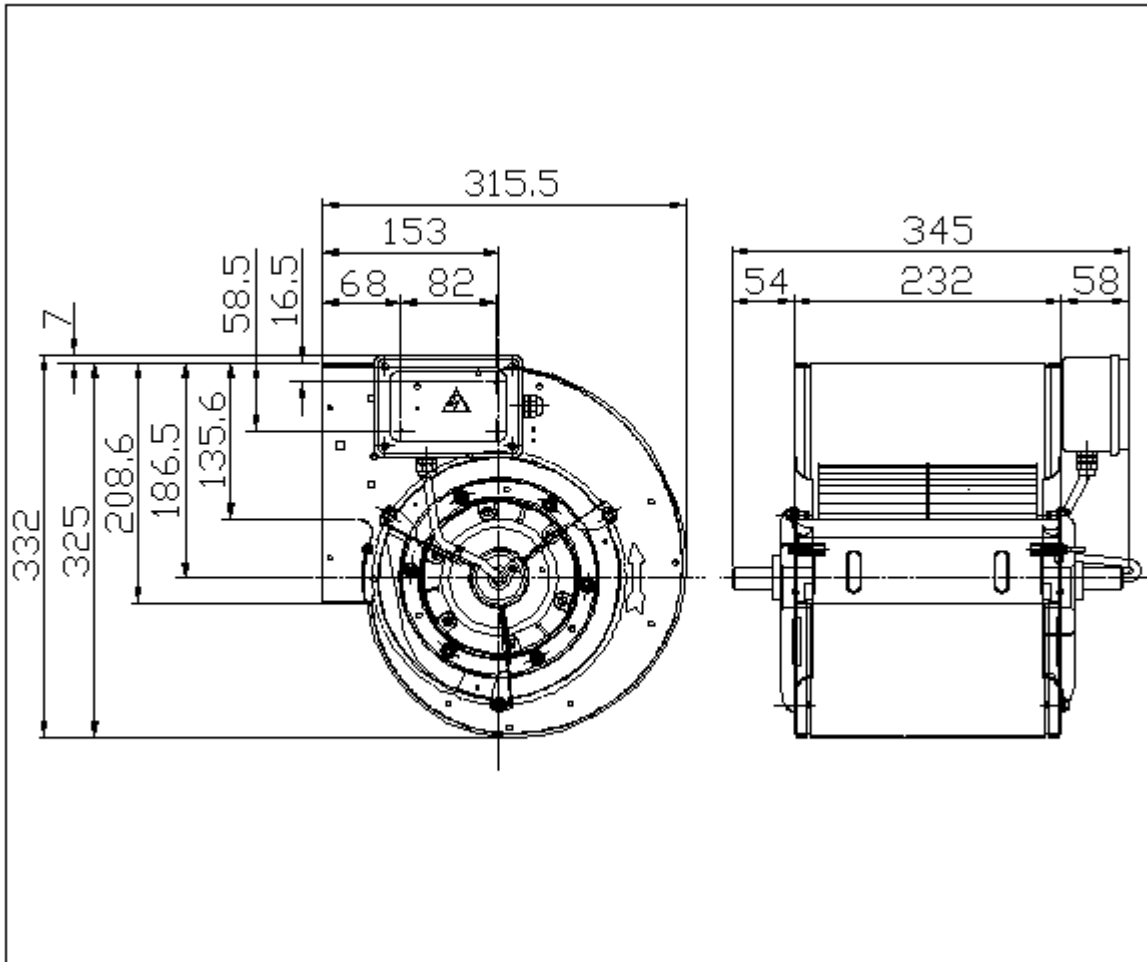
fulfills the ErP requirements 2015

Description	Value Dimension
<b>Specified duty point</b>	
<b>Actual duty point</b>	
Installation acc. DIN 24163 Part 1	B
Reference density ( $\rho_{ref}$ )	1.20 kg/m <sup>3</sup>
Medium temperature (t)	20 C
Fan weight	12 kg
<b>Rated data</b>	
Phases-Voltage-Frequency	1~230-50 V-Hz
Number of poles:	4
Motor rating ( $P_N$ )	0.42 kW
Rated motor speed ( $n_N$ )	1320 min <sup>-1</sup>
Rated motor current ( $I_N$ )	2,6 A
Capacitor (C)	10 $\mu$ F
<b>operational limits</b>	
Max. absorbed power ( $P_{1max}$ )	0.591 kW
Temperature range of conveying medium ( $t_{min} \dots t_{max}$ )	-20...50 C
<b>ErP-Data at best efficiency and density - kg/m<sup>3</sup></b>	
measurement- / efficiency category	B / total
design status of VSD	without VSD
overall efficiency ( $\eta_{opt}$ )	39.4 %
achieved efficiency grade ( $N_{ist}$ )	49.0
required efficiency grade in 2013 / 2015 (N)	42 / 49
Air flow rate ( $V_{opt}$ )	1409 m <sup>3</sup> /h
pressure rise ( $dp_{opt}$ )	307 Pa
Fan speed ( $n_{vopt}$ )	1426 min <sup>-1</sup>
motor power input ( $P_{1opt}$ )	0.304 kW
specific ratio ( $d_{dpopt}$ )	1.003

## Fan curve to DDM 7/7 E6G3405 1F 4P 1V +SCT == 6N02WL



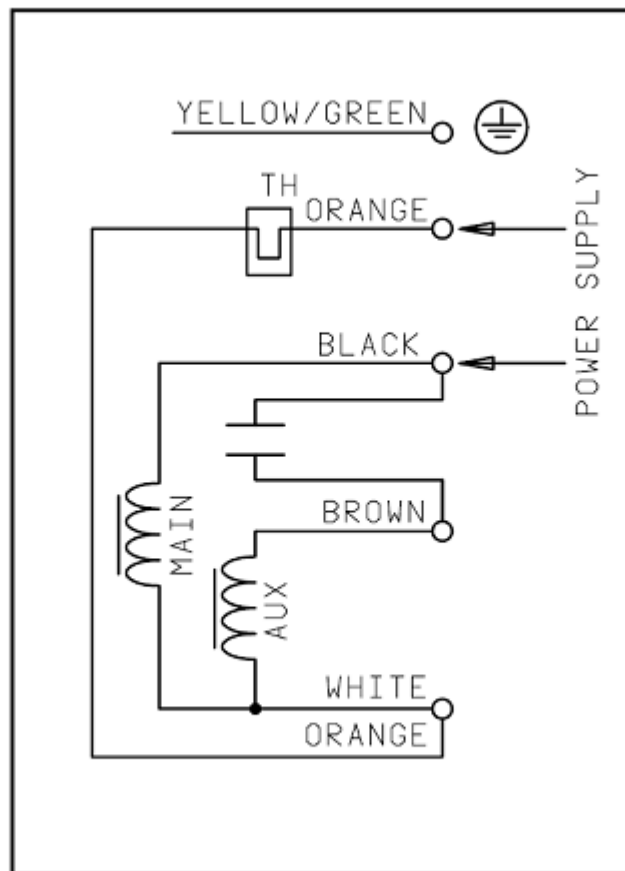
Dimensions to DDM 7/7 E6G3405 1F 4P 1V +SCT == 6N02WL



Rotation:  
Handing:

RD  
90

Wiring diagram of the fan DDM 7/7 E6G3405 1F 4P 1V +SCT == 6N02WL



20-09-2006 34

Wiring diagram for connection to: [mains - terminal box - motor](#)  
Rotation: [LG](#)